



Weatherproof housing for outdoor installations. Its internal dimensions make it suitable for several cameras equipped with a wide range of lenses.

The body is made of extruded aluminium and the end-cover plates of die-cast aluminium. Its weatherproof features are ensured by the extruded aluminium sunshield, the neoprene end-gasket between the end-cover plates and the body and two PG9 cable glands with their specific gaskets. The installation and adjustment of the camera are made easier thanks to the possibility of removing the body, leaving the internal slide in work position for easy operation.

A wide range of accessories is available, including heater kit (normal or reinforced for temperature below -20°C), blower kit, camera power supply, weatherproof junction box, wiper and washer.

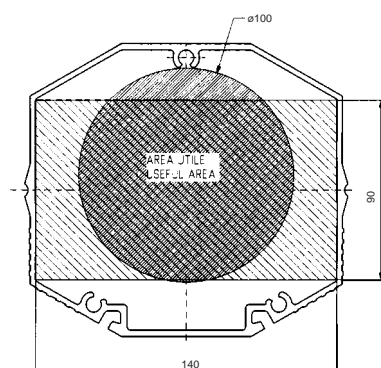
Two versions are normally supplied: HEGK with sunshield and heater kit, HEGD, dustproof body only, for indoor installations. Wiper, washer and reinforced heating are also available.

Standard lengths are: 365 / 450 mm

Weight: 4,3 Kg (HEG36K)

4,7 Kg (HEG45K)

Recommended mounts: WBJ, WCM5 and WFWC.



LARGE EXTRUDED ALUMINIUM HOUSING

- Indoor/Outdoor installations
- Extruded aluminium body
- Epoxypoliester coated RAL9002
- Wide range of accessories available
- Solid and reliable
- Weatherproof Standard IP66



CODE	DESCRIPTION
HEGK	Body + sunshield + heater kit
HEGD	Dustproof body only
OHEGS	Sunshield
OHEH	Thermostatically controlled PTC heater kit
HEGV	Thermostatically controlled blower kit pre-installed
OHEGVF	Thermostatically controlled blower kit on the back cover
OHEPS	Camera power supply
OHEGB	Weatherproof junction box
OHEGBPS	Camera power supply in weatherproof box
VIP5A	Wiper
VIP25WAS	Tank 25 lt + washer pump

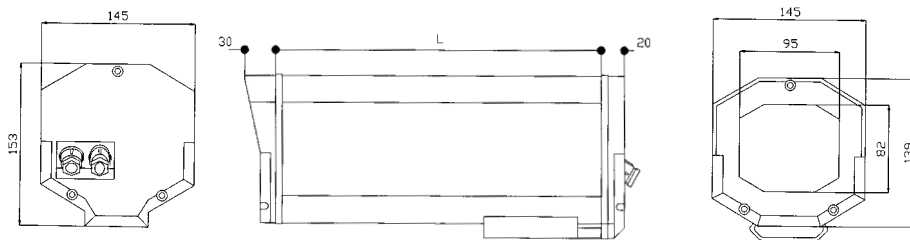
HEGD

Dustproof body

HEG36D:
L= 365mm

HEG45D:
L= 450mm

- indoor installations



OHEGS

Sunshield

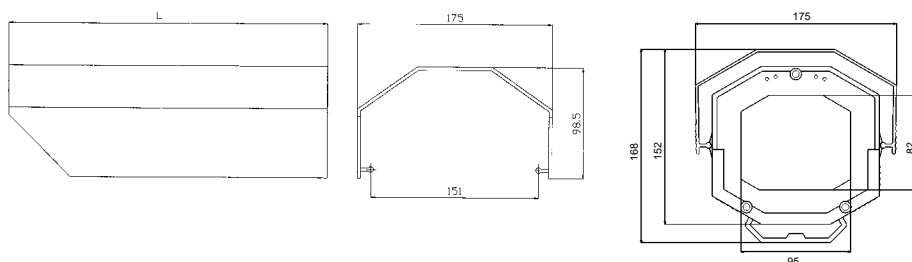
OHEGS36:

L= 495mm
Weight: 1,16 Kg

OHEGS45:

L= 590mm
Weight: 1,44 Kg

- outdoor installations



OHEGVF

Thermostatically controlled blower kit

OHEGVF1:

12 V~ 4W

OHEGVF2:

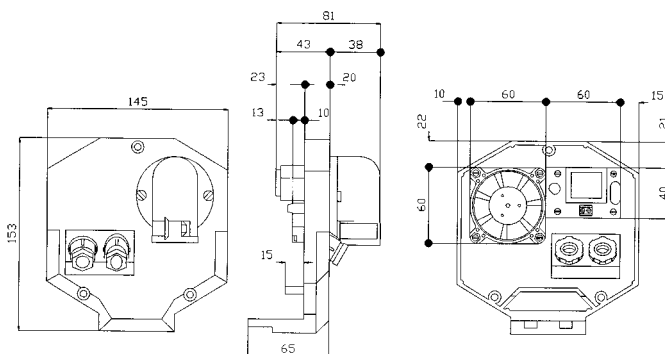
24 V~ 4W

OHEGVF3:

230 V~ 4W

T.on ≥ 35°C ±3°

T.off ≤ 20°C ±3°



OHEPS

Camera power supply

OHEPS03:

230 V~ input

12 V~, 400 mA output

OHEPS04:

230 V~ input

24 V~, 400 mA output

